



THE FUTURE OF DOORS

Classic Pocket Door Systems | Flush Pocket & Hinged Door Systems



SPACE

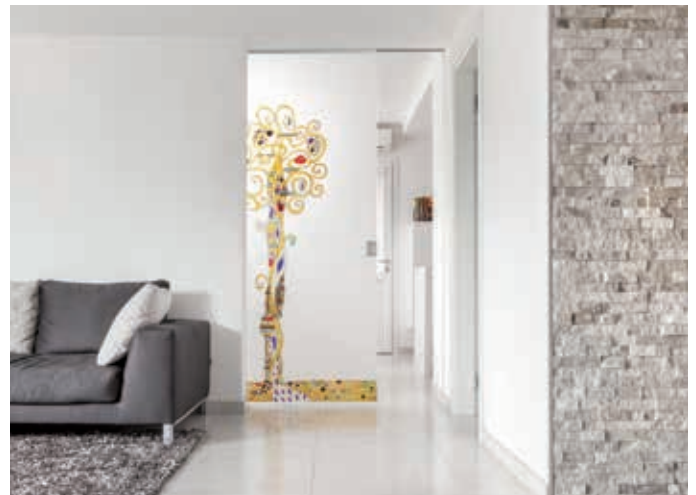
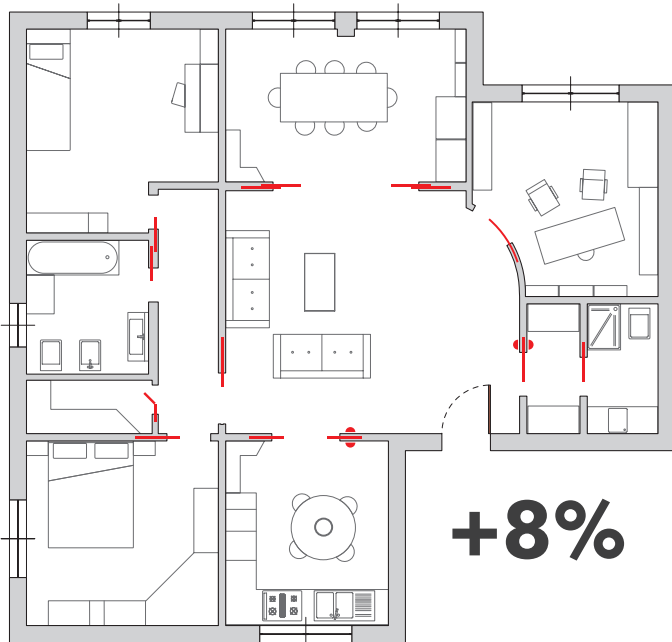
SPACE-SAVING & SPACE-CHANGING

Ask yourself, 'how much do you value your space?' By installing ECLISSE Pocket Door Systems you can gain up to 8% more usable space in a 100 sq m home. Pocket doors are not just useful for saving space they can make great room dividers and interior design features too. With our stunning

range of ECLISSE Glass Pocket Doors you can maximise the natural light in your property as well as space. ECLISSE Pocket Door Systems have been designed to be quick and easy to install, look good, and last, which is why we confidently offer a **15 year guarantee.**

Use single, double and / or telescopic doors as room dividers to open up and close off areas to create multi-functional spaces.

Suitable for use with wooden or metal studwork.



COLLECTIONS

CLASSIC AND SYNTESIS® FLUSH COLLECTION

Explore the versatility of ECLISSE pocket door systems and the ways in which the different styles can be incorporated into different styles of interior. You supply the door and our high quality, robust sliding pocket door systems will allow it

to glide and disappear into the wall. ECLISSE Pocket Door Systems have been designed to be quick and easy to install, look good and last which is why we offer **15 year guarantee** on our pocket door systems.

ECLISSE CLASSIC COLLECTION

A wide variety of pocket door systems supplied with a full timber lining kit.



ECLISSE SYNTESIS® FLUSH COLLECTION

A pocket door system without jambs or architrave, a concealed hinged door frame, a flushriser door frame and a flush skirting board adapter.



BENEFITS

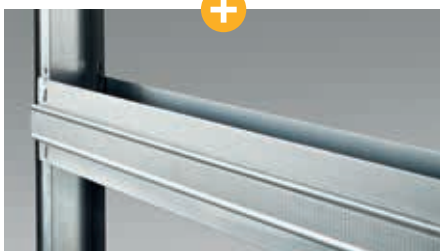
ECLISSE CLASSIC COLLECTION



The CLASSIC COLLECTION comprises of a wide variety of pocket door types, the most popular being the single and double.

You have the freedom of being able to use your own door panel (metric or imperial) as we supply systems to fit 13 standard UK and ROI door panel sizes. The system comprises of a galvanised steel frame with a FULL POCKET, track with runners and metal doorpost.

NB: a full pocket is important because it replaces the stud work in the wall. The door is top hung from the track which means your flooring can continue through the doorway without interruption.



Full Pocket Constructed from Strong Profiles

ECLISSE pocket entrance verticals are made from 1.2 mm galvanised steel, formed into strong profiles.

The horizontal reinforced bars are formed from 0.7 mm galvanised steel into dovetail sections.

These sections provide increased strength and substantially reduce flex.

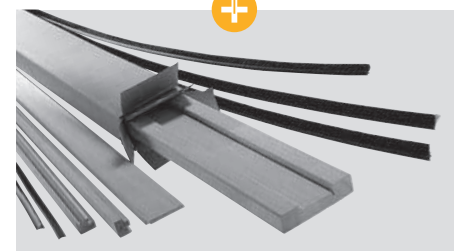
At ECLISSE we believe in comprehensively testing our products so we subjected a 12.5 mm plasterboarded pocket to an independent European Dynamic Impact Test (UNI EN 1629) and it passed with flying colours.



Maintenance Free Track and Runners

Smooth and quiet sealed for life runners with chrome steel ball bearings run in an enclosed track so they cannot derail. Suitable for door panels for up to 100 Kg, the runners have been independently tested to European standard UNI EN 1527 showing that they still operate perfectly after 100,000 open and close cycles.

That's around 25 years of normal use!



Full Timber Lining/Jamb Kit

Our Classic pocket door systems come with a quality jamb kit specially designed for strength and to provide a professional finish. Simply stain or paint as required.

Final decorative architrave is not supplied as customers prefer to choose architrave to match the rest of their property.

BENEFITS

ECLISSE CLASSIC COLLECTION



Extractable Track

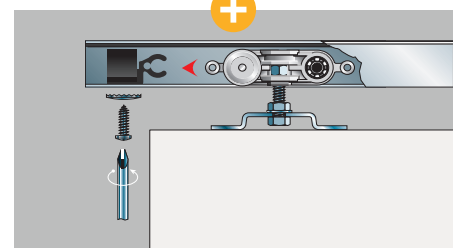
The maintenance free track is fully extractable.

So if you wanted to retrofit an accessory that fits in the track this is possible without having to break into the wall.



Self Centering door guide

Our frames have been thoughtfully designed and the emphasis on easy fit goes down to the smallest detail, even the door guide has been designed to fit perfectly, dead centre in a matter of seconds.

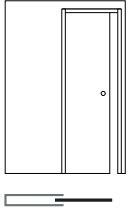


Doorstops front and rear

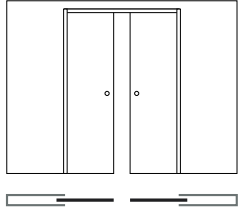
When you close a pocket door, you don't want the door to start sliding back open revealing an annoying chink of light. To avoid this the ECLISSE system has specially designed small clamps that hold the door in place so when the door is shut, it stays shut.

GALLERY

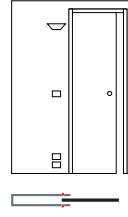
ECLISSE CLASSIC COLLECTION



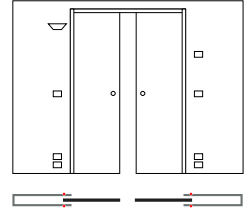
ECLISSE SINGLE
NON FIRE RATED & FD30 



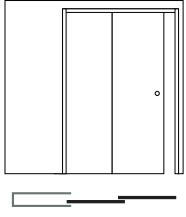
ECLISSE DOUBLE
NON FIRE RATED & FD30 



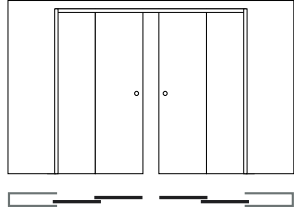
ECLISSE SINGLE
WIRING READY



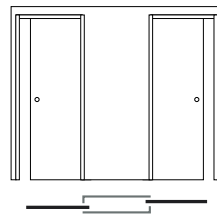
ECLISSE DOUBLE
WIRING READY



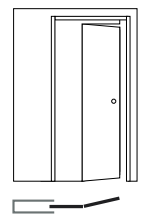
ECLISSE TELESCOPIC



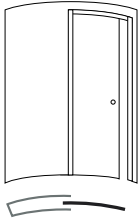
ECLISSE TELESCOPIC DOUBLE



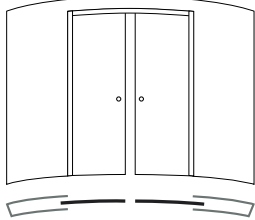
ECLISSE UNILATERAL



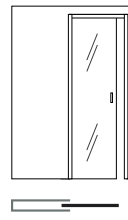
ECLISSE NOVANTA



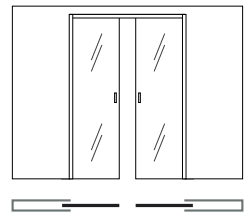
ECLISSE CIRCULAR



ECLISSE CIRCULAR DOUBLE



ECLISSE SINGLE GLASS



ECLISSE DOUBLE GLASS



ECLISSE SINGLE

GALLERY

ECLISSE CLASSIC COLLECTION



ECLISSE DOUBLE



ECLISSE DOUBLE WIRING-READY



GALLERY

ECLISSE CLASSIC COLLECTION



ECLISSE TELESCOPIC SINGLE



ECLISSE TELESCOPIC DOUBLE

GALLERY

ECLISSE CLASSIC COLLECTION



ECLISSE UNILATERAL



ECLISSE CIRCULAR

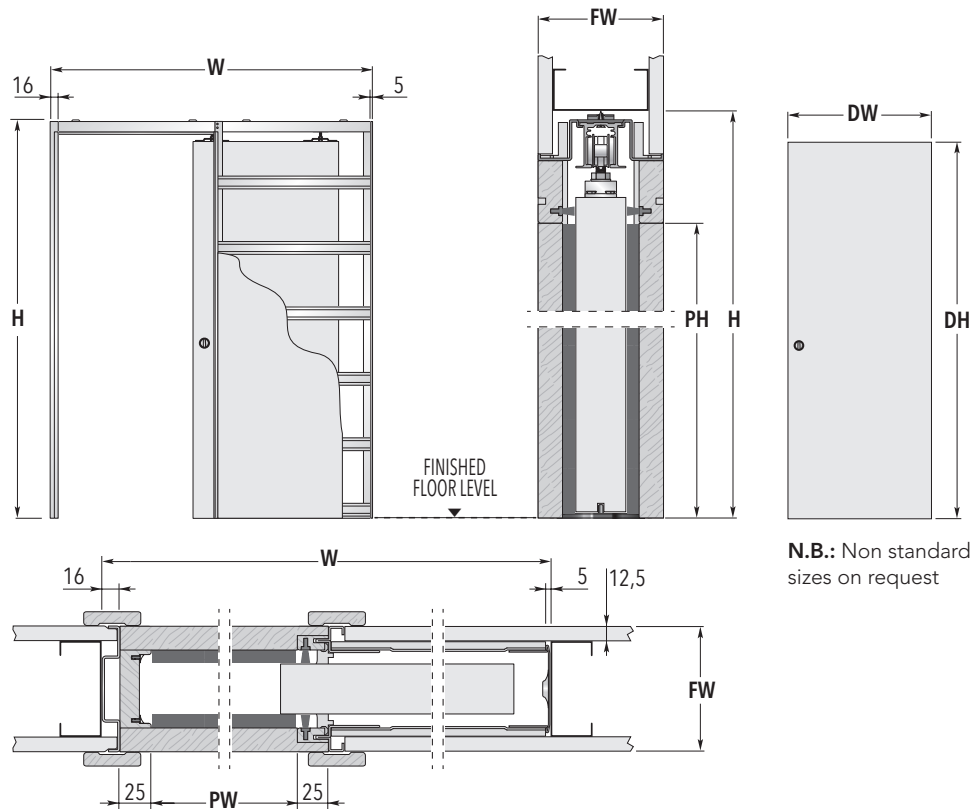


ECLISSE NOVANTA



PRACTICAL

ECLISSE CLASSIC SINGLE



N.B.: Non standard sizes on request

FRAMES FOR SINGLE DOORS			DOOR PANEL UK	
MAX. PASSAGE SIZE	OVERALL DIMENSION	FINISHED WALL	DW	DH
PW x PH	W x H	FW		
600 x 2030	1288 x 2115	100 or 125	626	2040
700 x 2030	1488 x 2115	100 or 125	726	2040
800 x 2030	1688 x 2115	100 or 125	826	2040
900 x 2030	1888 x 2115	100 or 125	926	2040
1000 x 2030	2088 x 2115	100 or 125	1026	2040
585 x 1971	1273 x 2056	100 or 125	2ft. 0in. x 6ft. 6in. (610 x 1981 mm)	
661 x 1971	1449 x 2056	100 or 125	2ft. 3in. x 6ft. 6in. (686 x 1981 mm)	
737 x 1971	1625 x 2056	100 or 125	2ft. 6in. x 6ft. 6in. (762 x 1981 mm)	
813 x 1971	1701 x 2056	100 or 125	2ft. 9in. x 6ft. 6in. (838 x 1981 mm)	
900 x 1971	1888 x 2056	100 or 125	3ft. 0in. x 6ft. 6in. (914 x 1981 mm)	
675 x 1971	1463 x 2056	100 or 125	2ft. 4in. x 6ft. 6in. (711 x 1981 mm)	
775 x 2020	1663 x 2105	100 or 125	2ft. 8in. x 6ft. 8in. (813 x 2032 mm)	
850 x 2020	1838 x 2105	100 or 125	2ft. 10in. x 6ft. 8in. (864 x 2032 mm)	

Dimensions are given in mm



NOTES

- ▶ Suitable for use with 35 or 44 mm thick doors.
- ▶ Max. door weight 100 kg (150 kg on request).
- ▶ When fitting flush pull handles we recommend the stop be regulated so the door protrudes from the pocket to avoid risk to fingers.
- ▶ Should the door be set to enter the pocket completely we do not accept any liability.
- ▶ Includes complete timber lining kit for a professional finish.
- ▶ Doors, plasterboard and final architrave not supplied.
- ▶ Non standard sizes on request up to 2 m wide and up to 3 m high door panel.
- ▶ Install at finished floor level.
- ▶ Self-centering floor guide with anti-warp profile.

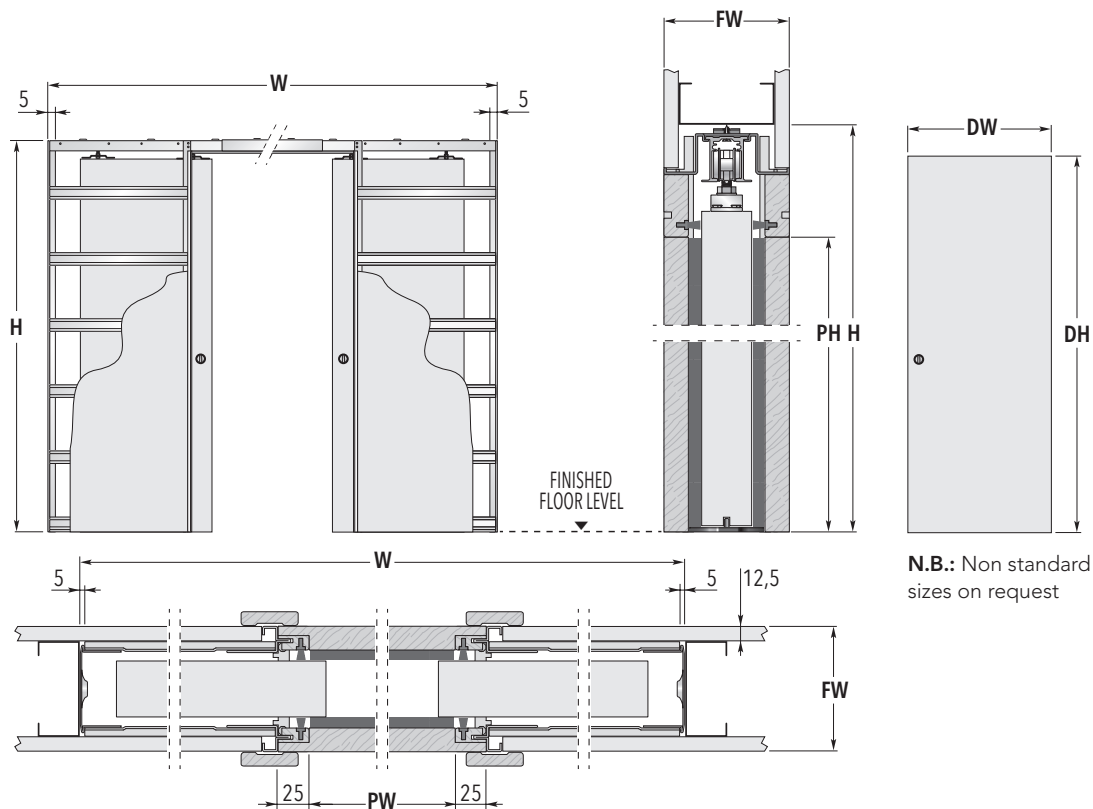


ACCESSORIES

- ▶ **Door Furniture**
Flush Pulls and Bathroom Locks
- ▶ **ECLISSE BIAS®**
Soft Close anti-slam device with 40 kg soft closing
- ▶ **ECLISSE BIAS® DS**
Bi-directional soft close up to 40 kg with anti-slam
- ▶ **Soft Close**
Slide the door towards the close position and the soft close takes over.
- ▶ **Self Closing Mechanism**
Open the door and it closes by itself!
- ▶ **E-Motion**
Linear motor open/close

PRACTICAL

ECLISSE CLASSIC DOUBLE



N.B.: Non standard sizes on request

FRAMES FOR DOUBLE DOORS			DOOR PANEL UK	
MAX. PASSAGE SIZE PW x PH	OVERALL DIMENSION W x H	FINISHED WALL FW	DW	DH
1200 x 2030	2494 x 2115	100 or 125	626	2040
1400 x 2030	2894 x 2115	100 or 125	726	2040
1600 x 2030	3294 x 2115	100 or 125	826	2040
1800 x 2030	3694 x 2115	100 or 125	926	2040
2000 x 2030	4094 x 2115	100 or 125	1026	2040
1170 x 1971	2464 x 2056	100 or 125	2ft. 0in. x 6ft. 6in. (610 x 1981 mm)	
1322 x 1971	2816 x 2056	100 or 125	2ft. 3in. x 6ft. 6in. (686 x 1981 mm)	
1474 x 1971	3168 x 2056	100 or 125	2ft. 6in. x 6ft. 6in. (762 x 1981 mm)	
1626 x 1971	3320 x 2056	100 or 125	2ft. 9in. x 6ft. 6in. (838 x 1981 mm)	
1800 x 1971	3694 x 2056	100 or 125	3ft. 0in. x 6ft. 6in. (914 x 1981 mm)	
1350 x 1971	2844 x 2056	100 or 125	2ft. 4in. x 6ft. 6in. (711 x 1981 mm)	
1550 x 2020	3244 x 2105	100 or 125	2ft. 8in. x 6ft. 8in. (813 x 2032 mm)	
1700 x 2020	3594 x 2105	100 or 125	2ft. 10in. x 6ft. 8in. (864 x 2032 mm)	

Dimensions are given in mm



NOTES

- ▶ Suitable for use with 35 or 44 mm thick doors.
- ▶ Max. door weight 100 kg (150 kg on request).
- ▶ When fitting flush pull handles we recommend the stop be regulated so the door protrudes from the pocket to avoid risk to fingers.
- ▶ Should the door be set to enter the pocket completely we do not accept any liability.
- ▶ Includes complete timber lining kit for a professional finish.
- ▶ Doors, plasterboard and final architrave not supplied.
- ▶ Non standard sizes on request up to 2 m wide and up to 3 m high door panel.
- ▶ Install at finished floor level.
- ▶ Self-centering floor guide with anti-warp profile.



ACCESSORIES

- ▶ **Door Furniture**
Flush Pulls
- ▶ **ECLISSE BIAS®**
Soft Close anti-slam device with 40 kg soft closing
- ▶ **ECLISSE BIAS® DS**
Bi-directional soft close up to 40 kg with anti-slam
- ▶ **Soft Close**
Slide the door towards the close position and the soft close takes over
- ▶ **Double door Co-ordination**
Doors open and close simultaneously

For sizing charts for other ECLISSE CLASSIC COLLECTION products see our website www.eclisse.co.uk



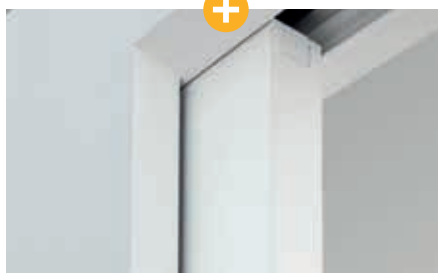
BENEFITS

ECLISSE SYNTESIS® FLUSH COLLECTION



Reinforced Frame with Innovative Edge Profile

The pocket, track holder and doorpost have an innovative edge design that allows for a crisp plaster finish right to the edge and into the return for a minimalist architrave free appearance. The frame is reinforced at key points to avoid strains that can cause cracks in the plaster.



Sealing Strips

The ECLISSE SYNTESIS® FLUSH Pocket Door System has paintable sealing strips that close off the space between the door and the track and also allow for small differences in tolerance.



ECLISSE SYNTESIS® FLUSH Skirting Adapter and Connectors

Unlike traditional skirting, this recessed skirting board system allows the skirting to be flush with the wall perfectly complementing the ECLISSE SYNTESIS® FLUSH HINGED and ECLISSE SYNTESIS® FLUSH pocket door ranges.

BENEFITS

ECLISSE SYNTESIS® FLUSH COLLECTION

The ECLISSE SYNTESIS® FLUSH COLLECTION is a complete range of flush or architrave free products that work in harmony with each other.

The collection features a pocket door system without jambs or architrave, a concealed hinged door frame, a flush riser door system and a flush skirting board adapter.

The emphasis is on uninterrupted, clean lines for an interior without fuss, where less is more.

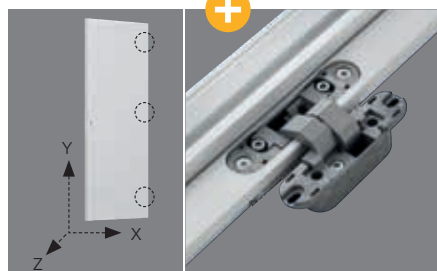


ECLISSE SYNTESIS® FLUSH HINGED

The aluminium frame is firstly subjected to a phosphate treatment for protection against oxidation, it is then primed so it's easy to paint.

The ECLISSE SYNTESIS® FLUSH HINGED frame has a special edge profile to allow for a crisp plaster finish right up to the edge.

The high strength frame with its 2Kg/m profile is designed to avoid strains that can cause plaster cracks.

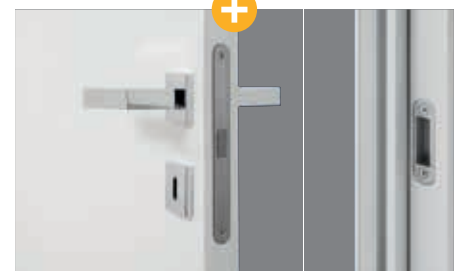


Hardware Kit

The ECLISSE SYNTESIS® FLUSH HINGED door frame is supplied with a hardware kit that comprises of door seals, a magnetic latch, 3 concealed hinges adjustable in 3 axes, hinge covers, strike plate and fixings.

The magnetic latch is designed to close softly and discretely.

The bolt remains flush with the panel when the door is open. It is attracted to the magnetic strike plate when closing, without pressing the handle.



Supplied with or without door

The ECLISSE SYNTESIS® FLUSH HINGED frame can be supplied with or without the door.

The doors we supply are fully primed and ready to paint or lacquer.

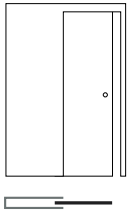
The door has double thickness stiles and rails for rigidity.

Doors over 2000 mm high come with a tensioning rod to preserve the flatness of the door further guaranteeing a perfect closure.

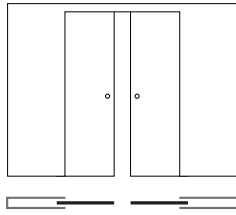


GALLERY

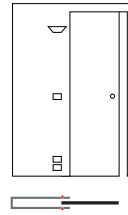
ECLISSE SYNTESIS® FLUSH COLLECTION



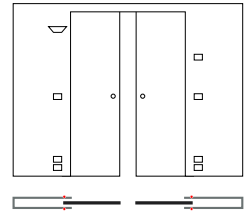
ECLISSE SYNTESIS® FLUSH SINGLE



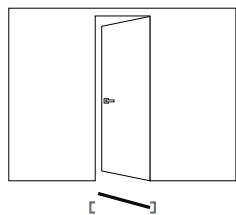
ECLISSE SYNTESIS® FLUSH DOUBLE



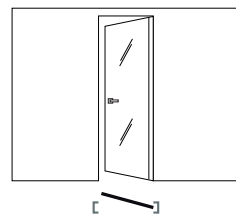
ECLISSE SYNTESIS® FLUSH SINGLE
WIRING READY



ECLISSE SYNTESIS® FLUSH DOUBLE
WIRING READY



ECLISSE SYNTESIS® HINGED
FLUSH SINGLE



ECLISSE SYNTESIS® HINGED
GLASS DOOR



ECLISSE SYNTESIS® FLUSH SINGLE

GALLERY

ECLISSE SYNTESIS® FLUSH COLLECTION



ECLISSE SYNTESIS® FLUSH DOUBLE



ECLISSE SYNTESIS® FLUSH SINGLE - wiring ready



GALLERY

ECLISSE SYNTESIS® FLUSH COLLECTION



GALLERY

ECLISSE SYNTESIS® FLUSH COLLECTION



ECLISSE SYNTESIS® HINGED GLASS DOOR



ECLISSE SYNTESIS® FLUSH SKIRTING

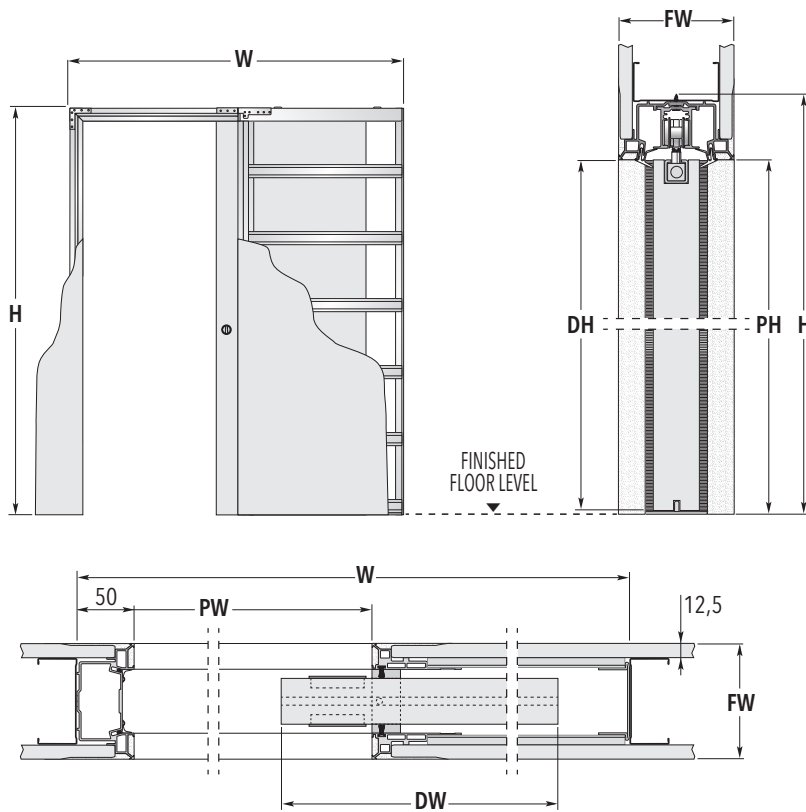


ECLISSE SYNTESIS® FLUSH SKIRTING



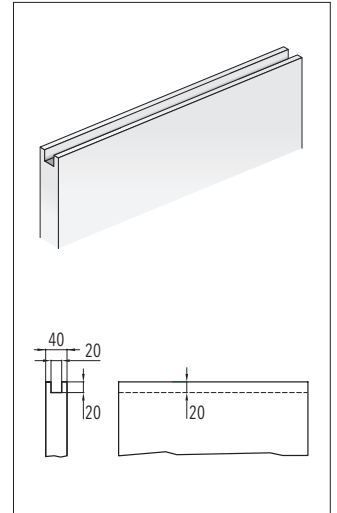
PRACTICAL

ECLISSE SYNTESIS® FLUSH SINGLE



IMPORTANT

Wooden door panels should be routed as shown along the top edge.



FRAMES FOR SINGLE DOORS			DOOR PANEL UK	
MAX. PASSAGE SIZE	OVERALL DIMENSION	FINISHED WALL	DW	DH
PW x PH	W x H	FW		
600 x 2048	1385 x 2108	100 - 125 - 150	626	2040
700 x 2048	1585 x 2108	100 - 125 - 150	726	2040
800 x 2048	1785 x 2108	100 - 125 - 150	826	2040
900 x 2048	1985 x 2108	100 - 125 - 150	926	2040
1000 x 2048	2185 x 2108	100 - 125 - 150	1026	2040
584 x 1989	1369 x 2049	100 - 125 - 150	2ft. 0in. x 6ft. 6in. (610 x 1981 mm)	
660 x 1989	1545 x 2049	100 - 125 - 150	2ft. 3in. x 6ft. 6in. (686 x 1981 mm)	
736 x 1989	1721 x 2049	100 - 125 - 150	2ft. 6in. x 6ft. 6in. (762 x 1981 mm)	
812 x 1989	1797 x 2049	100 - 125 - 150	2ft. 9in. x 6ft. 6in. (838 x 1981 mm)	
888 x 1989	1973 x 2049	100 - 125 - 150	3ft. 0in. x 6ft. 6in. (914 x 1981 mm)	
675 x 1989	1560 x 2049	100 - 125 - 150	2ft. 4in. x 6ft. 6in. (711 x 1981 mm)	
775 x 2040	1760 x 2100	100 - 125 - 150	2ft. 8in. x 6ft. 8in. (813 x 2032 mm)	
825 x 2040	1910 x 2100	100 - 125 - 150	2ft. 10in. x 6ft. 8in. (864 x 2032 mm)	



NOTES

- ▶ Available in Non Standard Sizes up to 1300 x 2700 mm passage size.
- ▶ Suitable for use with 35 or 44 mm thick doors.
- ▶ Max door weight 100 kg.
- ▶ Passage sizes above 1000 x 2150 mm must be 125 or 150 mm wall thickness.
- ▶ When fitting flush pull handles we recommend the stop be regulated so the door protrudes from the pocket to avoid risk to fingers.
- ▶ Should the door be adjusted to enter the pocket completely we do not accept any liability.
- ▶ Doors and plasterboard not supplied.
- ▶ Install at finished floor level.

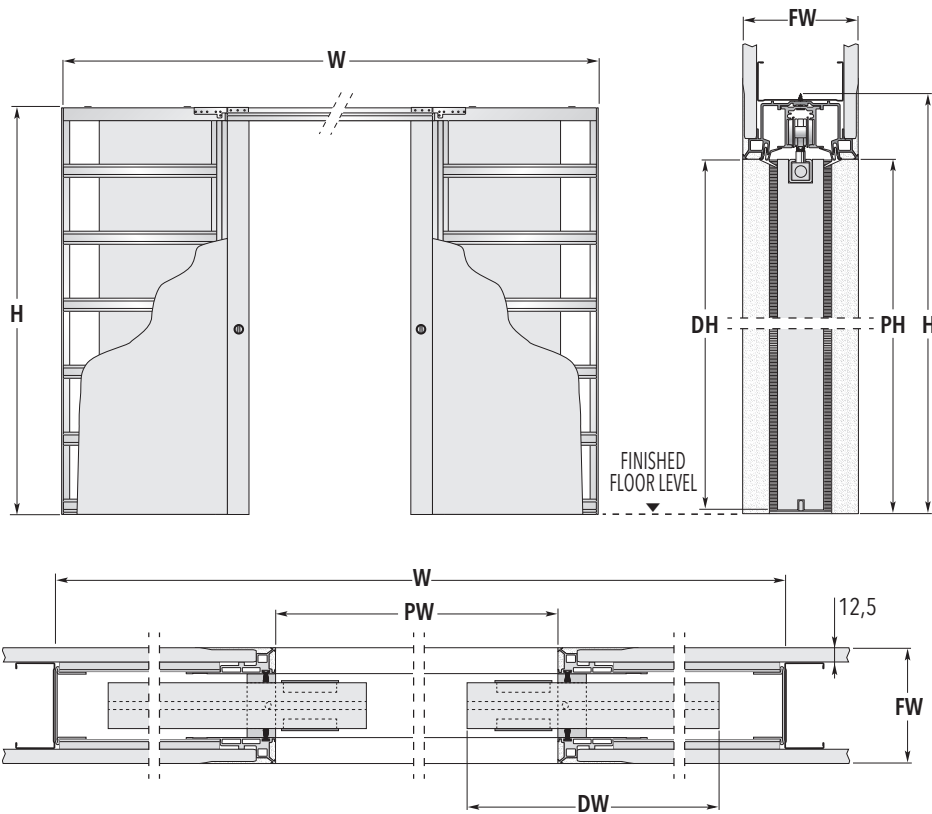


ACCESSORIES

- ▶ **Door Furniture**
Flush Pulls and Bathroom Locks
- ▶ **Flush Skirting Board adaptor**
- ▶ **ECLISSE BIAS®**
Soft Close anti-slam device with 40 kg soft closing
- ▶ **ECLISSE BIAS® DS**
Bi-directional soft close up to 40 kg with anti-slam

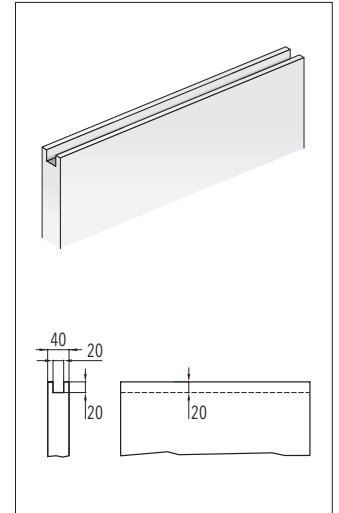
PRACTICAL

ECLISSE SYNTESIS® FLUSH DOUBLE



IMPORTANT

Wooden door panels should be routed as shown along the top edge.



FRAMES FOR DOUBLE DOORS			DOOR PANEL UK	
MAX. PASSAGE SIZE	OVERALL DIMENSION	FINISHED WALL	DW	DH
PW x PH	W x H	FW		
1200 x 2048	2670 x 2108	100 - 125 - 150	626	2040
1400 x 2048	3070 x 2108	100 - 125 - 150	726	2040
1600 x 2048	3470 x 2108	100 - 125 - 150	826	2040
1800 x 2048	3870 x 2108	100 - 125 - 150	926	2040
2000 x 2048	4270 x 2108	100 - 125 - 150	1026	2040
1168 x 1989	2638 x 2049	100 - 125 - 150	2ft. 0in. x 6ft. 6in. (610 x 1981 mm)	
1320 x 1989	2990 x 2049	100 - 125 - 150	2ft. 3in. x 6ft. 6in. (686 x 1981 mm)	
1472 x 1989	3342 x 2049	100 - 125 - 150	2ft. 6in. x 6ft. 6in. (762 x 1981 mm)	
1624 x 1989	3494 x 2049	100 - 125 - 150	2ft. 9in. x 6ft. 6in. (838 x 1981 mm)	
1776 x 1989	3846 x 2049	100 - 125 - 150	3ft. 0in. x 6ft. 6in. (914 x 1981 mm)	
1350 x 1989	3020 x 2049	100 - 125 - 150	2ft. 4in. x 6ft. 6in. (711 x 1981 mm)	
1550 x 2040	3420 x 2100	100 - 125 - 150	2ft. 8in. x 6ft. 8in. (813 x 2032 mm)	
1650 x 2040	3720 x 2100	100 - 125 - 150	2ft. 10in. x 6ft. 8in. (864 x 2032 mm)	



NOTES

- ▶ Available in Non Standard Sizes up to 2600 x 2700 mm passage size.
- ▶ Suitable for use with 35 or 44 mm thick doors.
- ▶ Max door weight 100 kg.
- ▶ Passage sizes above 2000 x 2150 mm must be 125 or 150 mm wall thickness.
- ▶ When fitting flush pull handles we recommend the stop be regulated so the door protrudes from the pocket to avoid risk to fingers.
- ▶ Should the door be adjusted to enter the pocket completely we do not accept any liability.
- ▶ Doors and plasterboard not supplied.
- ▶ Install at finished floor level.



ACCESSORIES

- ▶ **Door Furniture**
Flush Pulls
- ▶ **Flush Skirting Board adaptor**
- ▶ **ECLISSE BIAS®**
Soft Close anti-slam device with 40 kg soft closing
- ▶ **ECLISSE BIAS® DS**
Bi-directional soft close up to 40 kg with anti-slam





Find us at:

