

A POCKET GUIDE TO POCKET DOORS



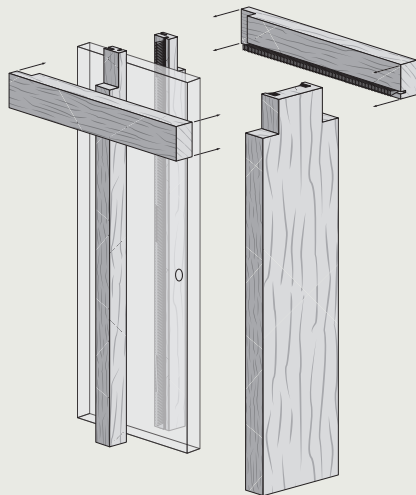
 **ECLISSE**[®]
SLIDING POCKET DOOR SYSTEMS



QUICK START



THE FRAMEWORK WITH TRACK AND RUNNING GEAR IN TOP



JAMBS - TIMBER LINING KIT TO COVER THE EDGES OF THE DOOR

DOORS SLIDE INTO THE WALL



SINGLE

DOUBLE

INDEX

WHAT IS A POCKET DOOR? 4

TYPES OF SYSTEM 6

ECLISSE CLASSIC - Architrave type

How to choose the size

ECLISSE SYNTESIS® FLUSH - No architraves

How to choose the size

FIRE APPROVED

WHAT TYPE OF DOOR? 12

Wood

Glass

UNIQUE SELLING POINTS 14

INSTALLATION 15

ECLISSE CLASSIC

ECLISSE SYNTESIS® FLUSH

ACCESSORIES 18

FAQ's 20

WHAT IS A POCKET DOOR?

A Pocket Door is one that slides back inside the wall.

The system is made up of a steel pocket which replaces the stud work and is plasterboarded over to form the wall. The running track is at the top and there are no tracks on the floor.



SINGLE DOOR



DOUBLE DOOR

IMPORTANT

ECLISSE do not supply wooden doors because ECLISSE manufacture specific systems for all the specific standard UK door sizes so you can use standard doors with the ECLISSE system.

Here you can see how the framework and track/runners create the doorway and the pocket,

The plasterboard has been cut away so you can see the framework inside.



WHAT IS A POCKET DOOR?

HOW DO THEY WORK?

The steel framework takes the place of the studwork and the doors are hung from the top track.

ECLISSE pockets can be used with steel or wooden studwork.

In the photo you can see from one side what it looks like before installing the plasterboard.

NOTE - there are many different sizes of stud work, for instruction see pages 16 - 17.

wooden studwork

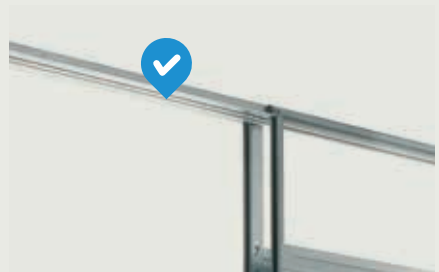
or

metal studwork



WHAT ARE THEY MADE FROM?

The ECLISSE framework is made from super strong galvanised (rust protected) steel and the running track is made from treated aluminium alloy.



LONG TERM RESISTANCE TO CORROSION.



TYPES OF SYSTEM

CLASSIC OR FLUSH? The first is the traditional ECLISSE CLASSIC type using architraves and a jamb lining kit (see page 7) and the second is the ECLISSE SYNTESIS® FLUSH type that creates a contemporary flush finish with no architraves and no jambs (see page 10).

ECLISSE CLASSIC



ECLISSE SYNTESIS® FLUSH



APPROVED FOR 30 MIN FIRE DOORS

In addition there are systems which have been tested and approved for 30 min fire doors. These utilise special closures and intumescent strips and are for use with 44 mm thick 30 min fire approved door panels.

APPROVED FOR 30 MIN FIRE DOORS



TYPES OF SYSTEM

ECLISSE CLASSIC SYSTEM

For use with architraves, this is a system that has a timber lining kit (jamb kit) supplied for use with wooden or glass doors (see pages 12/13)



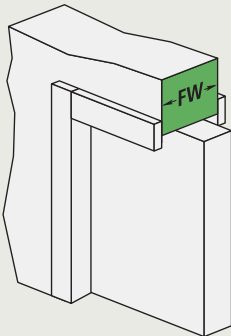
HOW TO CHOOSE THE SIZE

From the table below choose the door size, if you do not know this then if you know the overall space available you can choose the suitable frame size and from that and define the equivalent door size in the table.

Available in

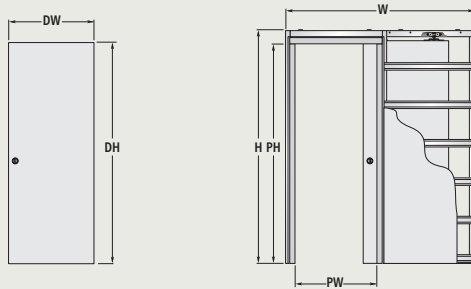
FW 100 OR 125 mm.

FW = Finished Wall Thickness



TRADITIONAL SYSTEMS

STANDARD FRAME



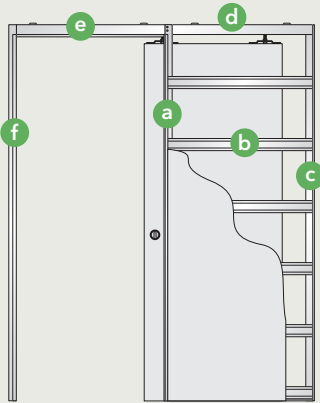
DOOR SIZE	PASSAGE SIZE	FRAME SIZE
DW x DH	PW x PH	W x H
2ft. 0in. x 6ft. 6in. (610 x 1981 mm)	= 585 x 1971 mm	1273 x 2056 mm
2ft. 3in. x 6ft. 6in. (686 x 1981mm)	= 661 x 1971 mm	1449 x 2056 mm
2ft. 6in. x 6ft. 6in. (762 x 1981mm)	= 737 x 1971 mm	1625 x 2056 mm
2ft. 9in. x 6ft. 6in. (838 x 1981mm)	= 813 x 1971 mm	1701 x 2056 mm
3ft. 0in. x 6ft. 6in. (914 x 1981mm)	= 900 x 1971 mm	1888 x 2056 mm
2ft. 4in. x 6ft. 6in. (711 x 1981 mm)	= 675 x 1971 mm	1463 x 2056 mm
2ft. 8in. x 6ft. 8in. (813 x 2032 mm)	= 775 x 2020 mm	1663 x 2105 mm
2ft. 10in. x 6ft. 8in. (864 x 2032 mm)	= 850 x 2020 mm	1838 x 2105 mm
626 x 2040 mm	= 600 x 2030 mm	1288 x 2115 mm
726 x 2040 mm	= 700 x 2030 mm	1488 x 2115 mm
826 x 2040 mm	= 800 x 2030 mm	1688 x 2115 mm
926 x 2040 mm	= 900 x 2030 mm	1888 x 2115 mm
1026 x 2040 mm	= 1000 x 2030 mm	2088 x 2115 mm

TYPES OF SYSTEM

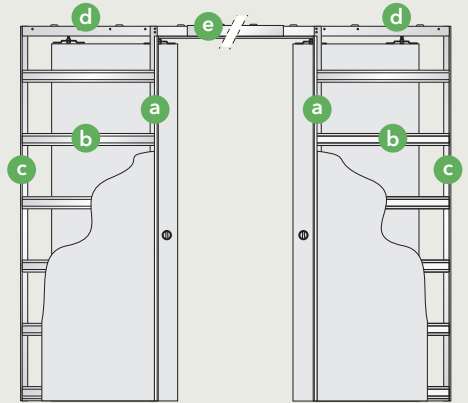
ECLISSE CLASSIC SYSTEM

ECLISSE manufacture systems for single and double doors. See section 3 for more details

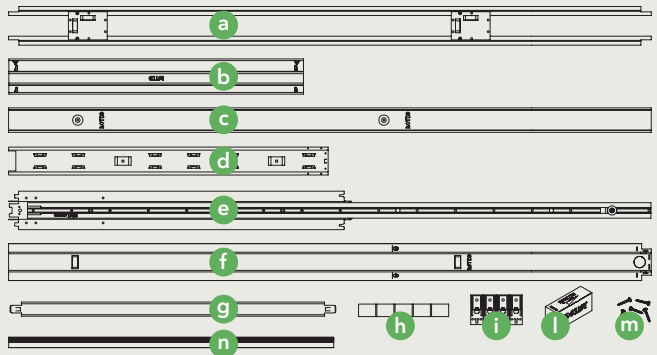
SINGLE DOOR EXAMPLE



DOUBLE DOOR EXAMPLE



LIST OF PARTS



METAL FRAMEWORK SINGLE KIT CONTENTS

- a: Central vertical
- b: Pocket horizontals
- c: Rear vertical
- d: Pocket header
- e: Top beam with track
- f: Metal door post

- g: Bracers (2 pcs)
- h: Polystyrene spacers
- i: Pocket-to-floor brackets
- l: Door mounting kit
- m: Pack of screws
- n: Anti-warp profile

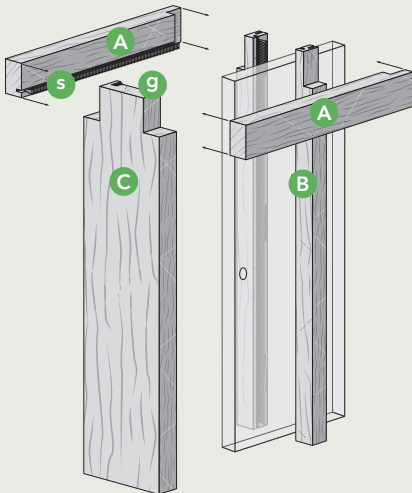
PLEASE NOTE THE DOOR POST "f" IS NOT SUPPLIED WITH THE DOUBLE SYSTEM

TYPES OF SYSTEM

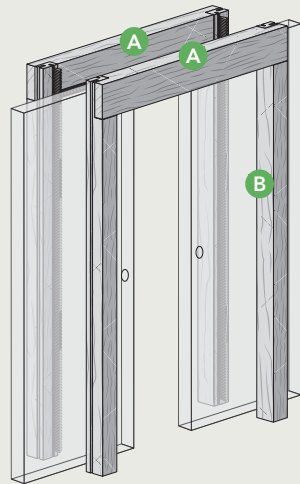
WHAT IS A JAMB KIT?

The jamb kit which ECLISSE supply (with the CLASSIC system only) comes in a separate box is a timber lining kit that is attached to the framework and covers the edges of the door when closed so you can't see the top of the door nor into the pocket. ECLISSE do not supply the final architrave, which is the decorative frame you see around traditional doors. The jamb kits are precisely manufactured from finger jointed wood for strength and resistance to warping and are paint ready.

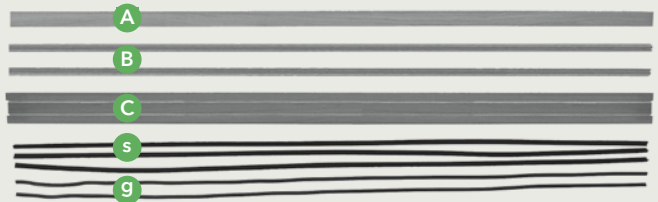
JAMBS FOR SINGLE DOORS



JAMBS FOR DOUBLE DOORS



LIST OF PARTS



JAMBS AND DOOR POST FOR SINGLE

- A: Top Horizontal jamb
(1 pc cut into 2 for single)
- B: Vertical pocket jambs (2 pcs)
- C: Wooden door post

- s: Brushes (6pcs, 3 for 35mm door 3 for 44mm door)
- g: Rubber bumpers
(1pc splits into 2)

PLEASE NOTE THE DOOR POST "C" IS NOT SUPPLIED WITH THE DOUBLE SYSTEM

TYPES OF SYSTEM

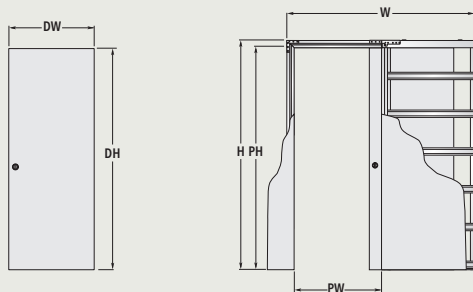
FLUSH WALL SYSTEM

This is called the ECLISSE SYNTESIS® FLUSH system and gives the contemporary look of flush - wall - door wall.
For use with wooden or ECLISSE glass doors.
(see page 12/13)



HOW TO CHOOSE THE SIZE

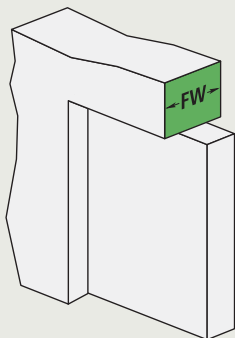
From the table below choose the door size, if you do not know this then if you know the overall space available you can choose the suitable frame size and from that and define the equivalent door size in the table.



FLUSH WALL SYSTEM

STANDARD FRAME

Available in **FW 100 mm**
FW = Finished Wall Thickness
from stock and 125/150 mm
made to order.



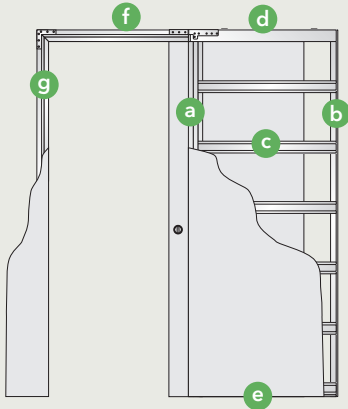
DOOR SIZE		PASSAGE SIZE	FRAME SIZE
DW x DH		PW x PH	W x H
2ft. 0in. x 6ft. 6in. (610 x 1981 mm)	=	584 x 1989 mm	1369 x 2049 mm
2ft. 3in. x 6ft. 6in. (686 x 1981 mm)	=	660 x 1989 mm	1545 x 2049 mm
2ft. 6in. x 6ft. 6in. (762 x 1981 mm)	=	736 x 1989 mm	1721 x 2049 mm
2ft. 9in. x 6ft. 6in. (838 x 1981 mm)	=	812 x 1989 mm	1797 x 2049 mm
3ft. 0in. x 6ft. 6in. (914 x 1981 mm)	=	888 x 1989 mm	1973 x 2049 mm
2ft. 4in. x 6ft. 6in. (711 x 1981 mm)	=	675 x 1989 mm	1560 x 2049 mm
2ft. 8in. x 6ft. 8in. (813 x 2032 mm)	=	775 x 2040 mm	1760 x 2100 mm
2ft. 10in. x 6ft. 8in. (864 x 2032 mm)	=	825 x 2040 mm	1910 x 2100 mm
626 x 2040 mm	=	600 x 2048 mm	1385 x 2108 mm
726 x 2040 mm	=	700 x 2048 mm	1585 x 2108 mm
826 x 2040 mm	=	800 x 2048 mm	1785 x 2108 mm
926 x 2040 mm	=	900 x 2048 mm	1985 x 2108 mm
1026 x 2040 mm	=	1000 x 2048 mm	2185 x 2108 mm

TYPES OF SYSTEM

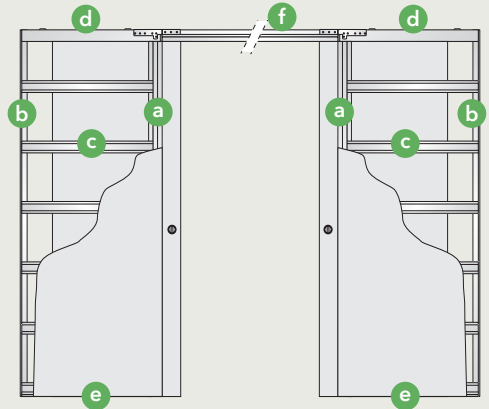
ECLISSE SYNTESIS® FLUSH SYSTEM

A contemporary flush finish with no jambs or architraves, just wall - door - wall.

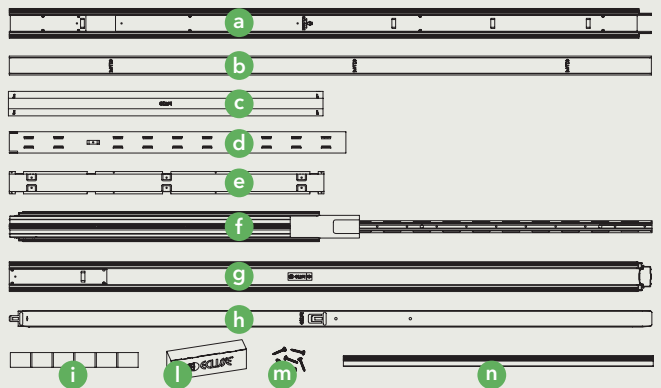
SINGLE DOOR EXAMPLE



DOUBLE DOOR EXAMPLE



LIST OF PARTS



METAL FRAMEWORK SINGLE KIT CONTENTS

- a: Central vertical
- b: Rear vertical
- c: Pocket horizontals
- d: Pocket header
- e: Under frame profile
- f: Top beam with track

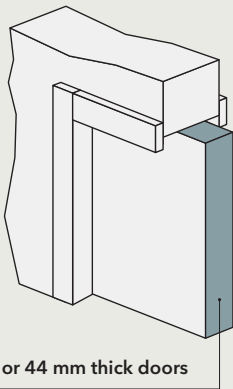
- g: Metal door post
- h: Alignment bar (patented)
- i: Polystyrene spacers
- l: Door mounting kit
- m: Pack of screws
- n: Anti-warp profile

PLEASE NOTE THE DOOR POST "g" IS NOT SUPPLIED
WITH THE DOUBLE SYSTEM

WHAT TYPE OF DOOR?

WOODEN DOORS

ECLISSE do not supply wooden doors as there is an ECLISSE system for each UK standard door size (there are 10 of them). ECLISSE systems fit 35 or 44 mm thick doors (fire door system only 44mm).



35 or 44 mm thick doors



Maximum door weight is 100 kg.



DOOR SIZE	
W x H	
2ft. 0in. x 6ft. 6in.	(610 x 1981 mm)
2ft. 3in. x 6ft. 6in.	(686 x 1981 mm)
2ft. 6in. x 6ft. 6in.	(762 x 1981 mm)
2ft. 9in. x 6ft. 6in.	(838 x 1981 mm)
3ft. 0in. x 6ft. 6in.	(914 x 1981 mm)
2ft. 4in. x 6ft. 6in.	(711 x 1981 mm)
2ft. 8in. x 6ft. 8in.	(813 x 2032 mm)
2ft. 10in. x 6ft. 8in.	(864 x 2032 mm)
	626 x 2040 mm
	726 x 2040 mm
	826 x 2040 mm
	926 x 2040 mm
	1026 x 2040 mm

WHAT TYPE OF DOOR?

FRAMELESS GLASS DOORS

ECLISSE do supply frameless satin glass doors as they are specially made for the ECLISSE system.

All ECLISSE glass doors are fully tempered to the very latest European specifications in accordance with the law. 'Tempered' means they have been heat treated to make them tougher than normal glass and very resistant to breaking. If they should break they are designed to break into very small pieces of glass which reduce drastically the risk of serious injury.

Available in 8 or 10 mm thick glass.



WHAT IS SATIN GLASS?

Satin glass is 'frosted' opaque easy clean glass.

Satin glass is fine for en-suites but NOT for family bathrooms as you can see vague shadows through it.



10 cm. (4 inches)
from the glass



30 cm. (12 inches)
from the glass



1 m. (40 inches)
from the glass

ECLISSE UNIQUE SELLING POINTS

GUARANTEE AND TESTING



ECLISSE systems are guaranteed for 15 years which is the industry standard but have been independently tested and certified for 25 years of normal use. Independently IMPACT tested and also CORROSION tested so you are assured a quality product.

PEACE OF MIND



The ECLISSE system has been designed in such a way that the track and running gear are completely removeable without ever having to break into the wall. The ECLISSE system is completely maintenance free however the track and runners are fully extractable should anything unforeseen happen or if you want to retrofit an accessory.

QUICK AND EASY INSTALLATION



ECLISSE pocket door systems are made with the installer in mind. Every small detail has been considered from the self-centering door guide to the self-locking horizontals which click and lock into place in minutes. Youtube installation videos are available at our YouTube channel <https://www.youtube.com/user/eclisseUK>

STRONG



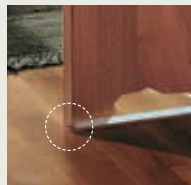
Strength is very important and ECLISSE have the strongest system of this type on the market with the pocket entrance verticals made from 1.2 mm steel.



ANTI-WARP



ECLISSE includes a metal anti-warp profile because timber doors have a tendency to warp over time and can make the sliding movement uneven. By fitting the anti-warp profile to the door this problem is eliminated and the smooth sliding action continues over time.



COMPLETE WITH TIMBER LINING KIT

This is important as it has been designed by ECLISSE CLASSIC to give a beautiful and professional finish to the system.



INSTALLATION

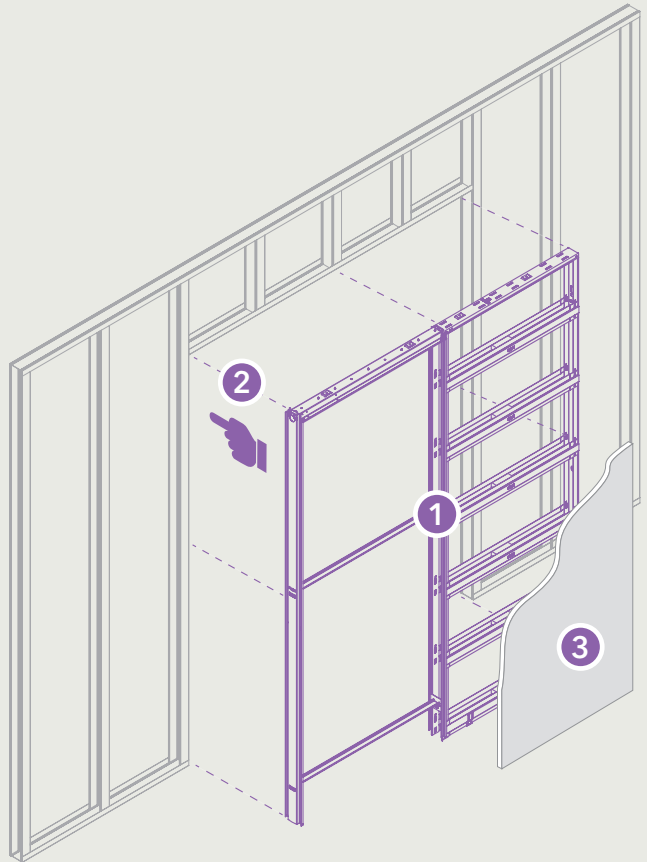
STANDARD COMES AS STANDARD!

use **STANDARD** doors, metric or imperial

use **STANDARD** door thicknesses 35 or 44 mm

use **STANDARD** 12.5 mm plasterboard (we even supply the screws!)

use **STANDARD** stud work, metal or wood, for 100 mm or 125 mm finished walls



YOU CAN FIT THE PLASTERBOARD AT ANYTIME AFTER THE FRAME INSTALLATION.

1.	ASSEMBLE THE FRAME	15 minutes
2.	SCREW FRAME INTO THE STUDWORK	15 minutes
3.	INSTALL PLASTERBOARD	15 minutes

ALWAYS INSTALL AT FINISHED FLOOR LEVEL

INSTALLATION

STUD WALLS AND FINISHED WALL THICKNESS

It is important you understand this section as there are many sizes of stud work around. Stud walls are made of from wooden or steel studwork with plasterboard attached.

WOODEN STUDWORK



STEEL STUDWORK



It is always best to consider the finished wall thickness to avoid confusion with stud work sizes.

From the table opposite below you can see the different stud sizes available and how to use the ECLISSE frame with each of those.

Remember the ECLISSE CLASSIC range can be assembled 100 or 125 mm finished wall thickness but the jamb kit is either 100 or 125 mm but not both!

So the customer needs to know the finished wall thickness when ordering to choose the correct size jamb kit.

INSTALLATION

The most common studwork is usually 75 mm or 100 mm thick and the plasterboard is nearly always 12.5 mm thick in both cases.

To match up to these the ECLISSE framework can be assembled to 75 mm or 100 mm thickness.

75 mm stud work plus 12.5 mm plasterboard on each side gives a finished wall thickness of 100 mm.

100 mm stud work plus 12.5 mm plasterboard on each side gives a finished wall thickness of 125 mm

ALWAYS CLARIFY IF IT IS 100 OR 125 mm FINISHED WALL THICKNESS.

BUT there are other combinations, please take the time to look at this table and familiarise yourself with the different sizes.

STUDWORK / POCKET ASSEMBLY / WALL THICKNESS

	Studwork	Frame Assembly	Finished wall Thickness	Plasterboard ON EACH SIDE		Jamb needed	
				On Pocket	On Studwork		
WOOD	63 mm	75 mm	100 mm	One 12.5 mm layer	One 6 mm layer + One 12.5 mm layer	100 mm	
	70 mm	75 mm	100 mm	One 12.5 mm layer	One 15 mm layer	100 mm	
	75 mm	75 mm	100 mm	One 12.5 mm layer	One 12.5 mm layer	100 mm	
	STUD	89 mm	100 mm	125 mm	One 12.5 mm layer	One 6 mm layer + One 12.5 mm layer	125 mm
		95 mm	100 mm	125 mm	One 12.5 mm layer	One 15 mm layer	125 mm
		100 mm	100 mm	125 mm	One 12.5 mm layer	One 12.5 mm layer	125 mm
METAL	70 mm	75 mm	100 mm	One 12.5 mm layer	One 15 mm layer	100 mm	
	70 mm	75 mm	125 mm	Two 12.5 mm layer	One 15 mm layer + One 12.5 mm layer	125 mm (2nd rebate wood doors)	
	95 mm	100 mm	125 mm	One 12.5 mm layer	One 15 mm layer	125 mm	
	95 mm	100 mm	150 mm	Two 12.5 mm layer	One 15 mm layer + One 12.5 mm layer	125 mm use Lshape architrave	

ACCESSORIES

SOFT CLOSE

A very simple system that fits on top of the door and enables the door to close softly, a bit like modern kitchen cabinets etc.

There are three types so you need to specify which one.

For use with ECLISSE CLASSIC systems



For use on wooden doors (min 650 mm wide*) up to 40 kg weight
For use on wooden doors (min 650 mm wide*) 40 - 50 kg in weight
For use on glass doors (min 650 mm wide*) up to 40 kg in weight

ANTI-SLAM/SOFT-CLOSE MECHANISM

Not just a soft close but an anti-slam device also, use with ECLISSE CLASSIC or ECLISSE SYNTESIS® FLUSH systems.

You should know that all soft close devices are NOT anti-slam and the door can still be slammed on fingers etc when using a soft close only.

So for safety's sake choose an ECLISSE Anti-slam/Soft-close.



Fully closes a door panel of up to 40 kg, above this the anti-slam will still work but it is not guaranteed that the door will close completely of its own accord.

SELF-CLOSING MECHANISM

You just have to open the door, it closes by itself using an ingenious system which is completely enclosed inside the frame.

The closing speed can be adjusted without removing the door or jambs and for a very slow closing speed

ECLISSE have a special soft close system.



Designed for door weights up to 40 kg.
Works with ECLISSE CLASSIC single door systems and FIRE Approved sliding systems only.

ACCESSORIES

DOUBLE DOOR CO-ORDINATION

With this system the opening/closing of the two doors is linked so as you open or close one door the other one opens or closes. The system can be installed in existing frames because the ECLISSE system has extractable tracks that allow you to remove them and install the coordination system.



The set includes a soft closer which will slow down the doors and close them if the doors are no more than 20 kg each. Heavier doors will just be slowed down. The addition of a second soft closer will however ensure closure up to 40 kg per door.

SLIDING DOOR HANDLES

ECLISSE sliding door furniture has been designed to give customer satisfaction and comes in round, square or oblong forms.



ROUND

SIMPLE FLUSH PULLS
and BATHROOM LOCKS



Polished brass



Antique brass



Polished chrome



Satin chrome



Black painted brass



SQUARE

SIMPLE FLUSH PULLS
and BATHROOM LOCKS



Polished chrome



Satin chrome



Polished chrome



Satin chrome

FAQ's

FRAME?

Q. DO ECLISSE FRAMES COME SUPPLIED WITH THE DOORS?

A. No, you can use any standard door you like, we have a frame for each size. We do however supply frameless glass doors.

Q. WHAT ARE THE LIMITS ON THE DOOR SIZES?

A. The standard range of frames fit all standard door sizes however non-standard sizes can be manufactured up to 2 m wide to order. 35 or 44 mm door thickness.

Q. DO I NEED A THRESHOLD?

A. No the floor surface remains uninterrupted, you can continue it through the doorway.

Q. DO YOU OFFER INSTALLATION?

A. No, we supply only because these are relatively easy to assemble and install by Builders, Joiners or even competent DIYers.

Q. WHAT GUARANTEE DO YOU OFFER?

A. The Eclisse steel system is guaranteed for 15 years against material or manufacturing defects.

JAMBS?

Q. ARE THERE DIFFERENT JAMBS FOR DIFFERENT FRAMES?

A. Jamb kits depend on the finished wall thickness, always specify this when ordering.

Q. WHAT MATERIALS ARE THEY MADE OF?

A. They are made of finger-jointed pine with a real wood (cherry walnut) veneer, or fir and are ready for painting or staining.

Q. WHY DO WE USE BRUSHES AROUND THE DOOR?

A. Modern doors can warp so the brushes are used not only to seal off the pocket etc but to take any door warping into account.

Q. SO WHO NEEDS A WOODEN DOOR POST?

A. Recessed door post will let your door slide right into it giving you a perfect closure line; and it gives space to insert tiny rubber bumpers to soften closing noise.

GLASS DOORS?

Q. IS THE GLASS TOUGHENED?

A. The glass is tempered (toughened) to the latest European specs. Should it break, it does so safely in thousands of little pieces.

Q. CAN I HAVE MY OWN DESIGN?

A. Within reason yes, we can even print your photo on the doors (hi res photo needed though).

Q. WHAT ABOUT HANDLES?

A. Take a look at our web site...

Q. WILL THE DOOR DROP DOWN OVER TIME?

A. Our 10mm doors use ultra safe bracket designed by us for zero drop down over time.

