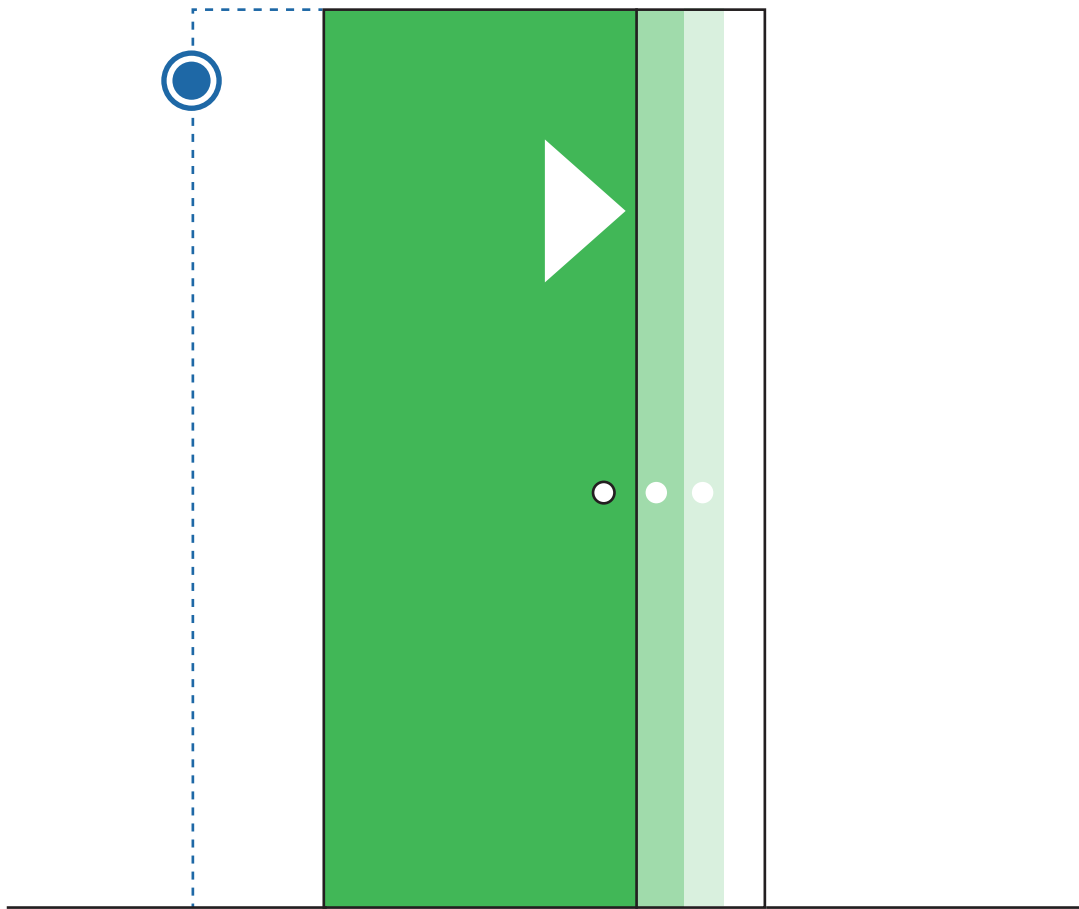




Rocket Door Frames

- SELF CLOSING -

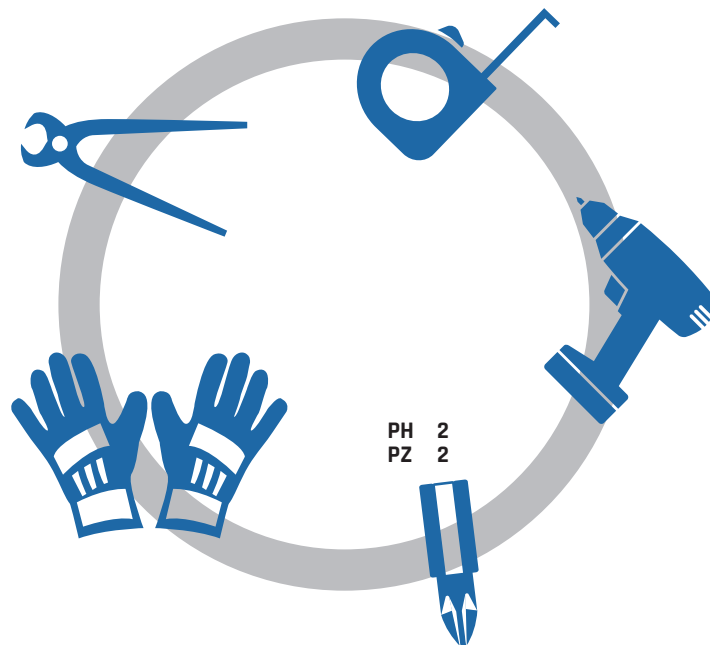




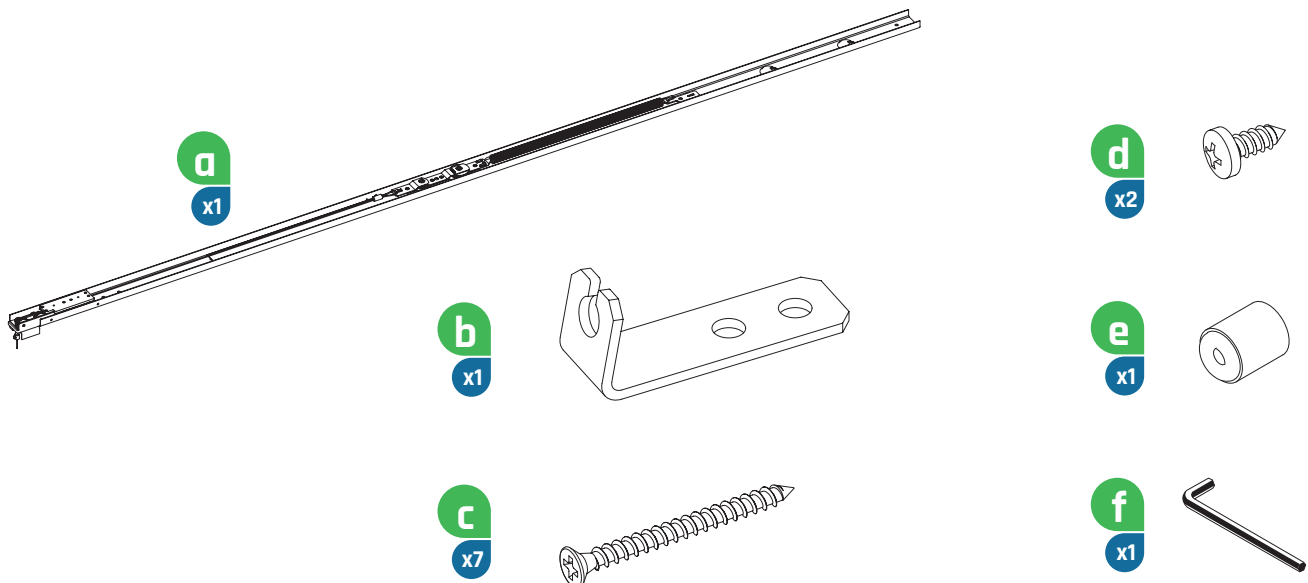
CAUTION

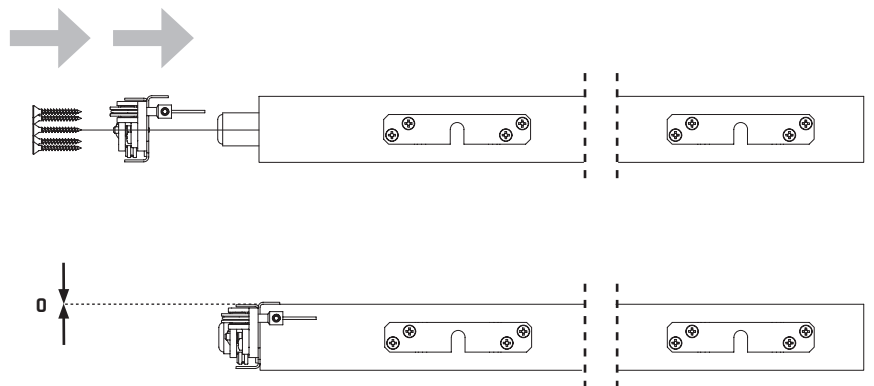
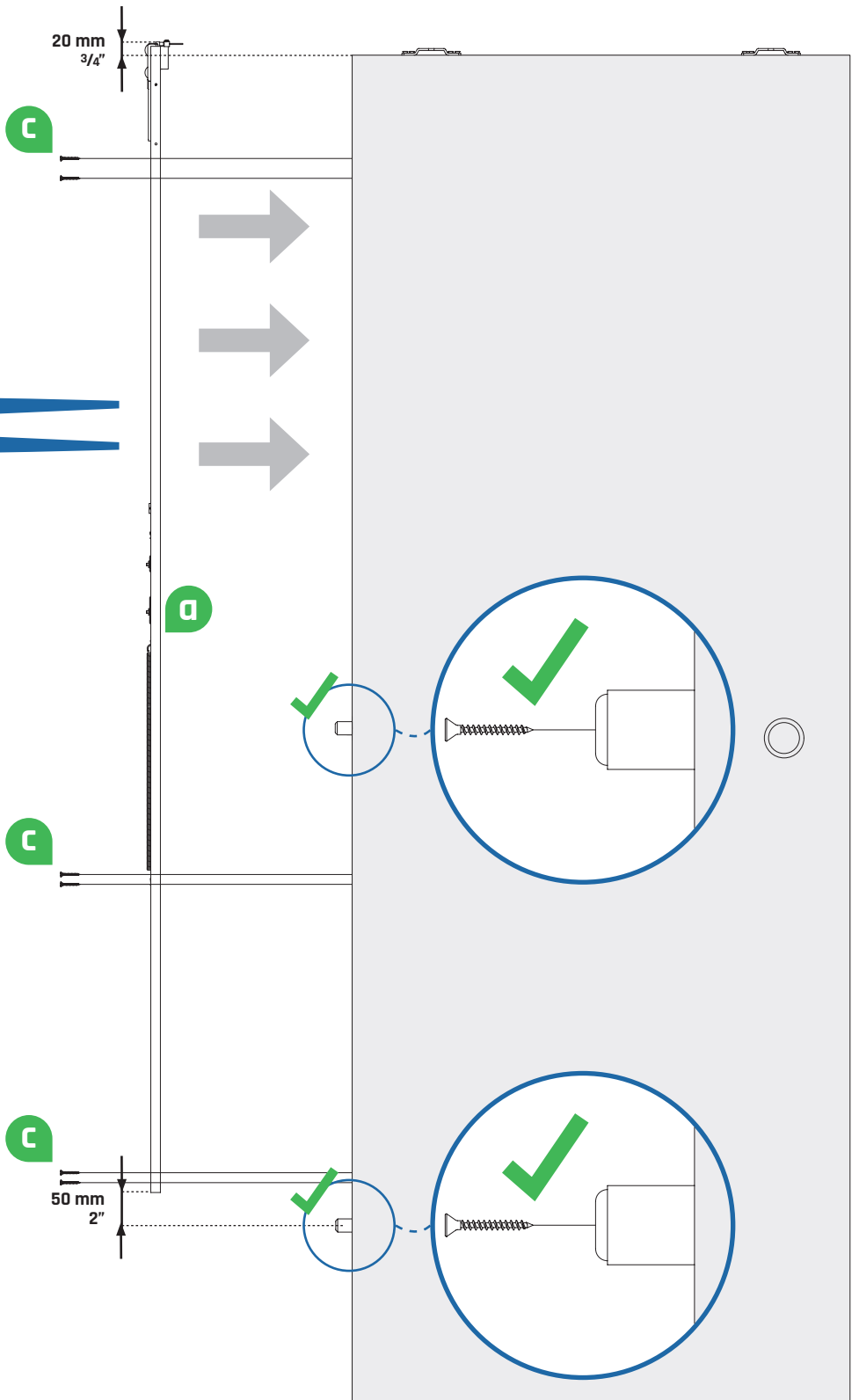
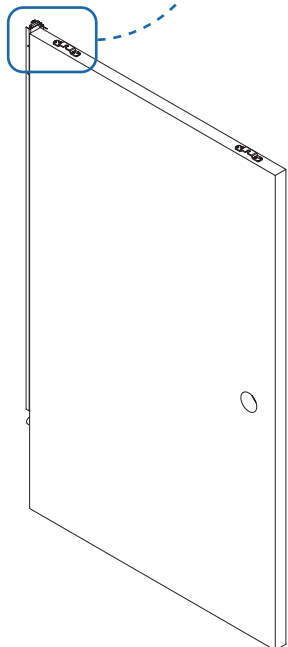
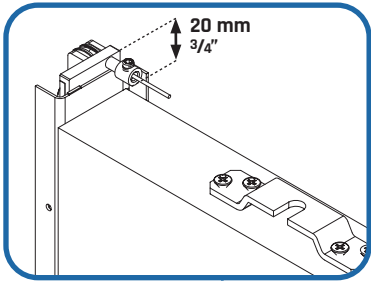
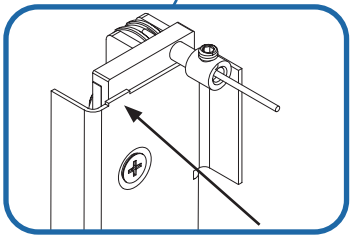
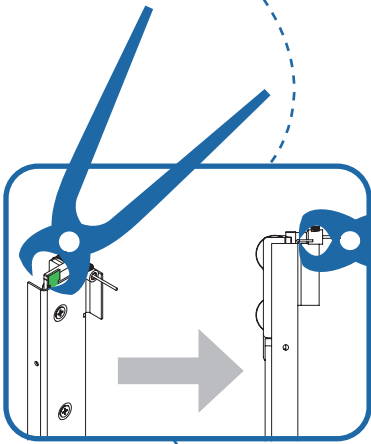
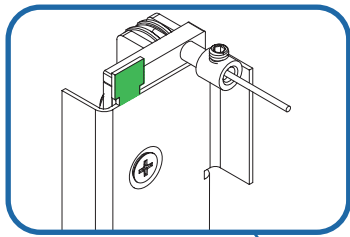
If you follow carefully these instructions for the assembly and installation process your life will be easier! A pair of tressles are very useful when assembling the frames. Some parts may have sharp edges so use gloves and be careful when handling the parts.

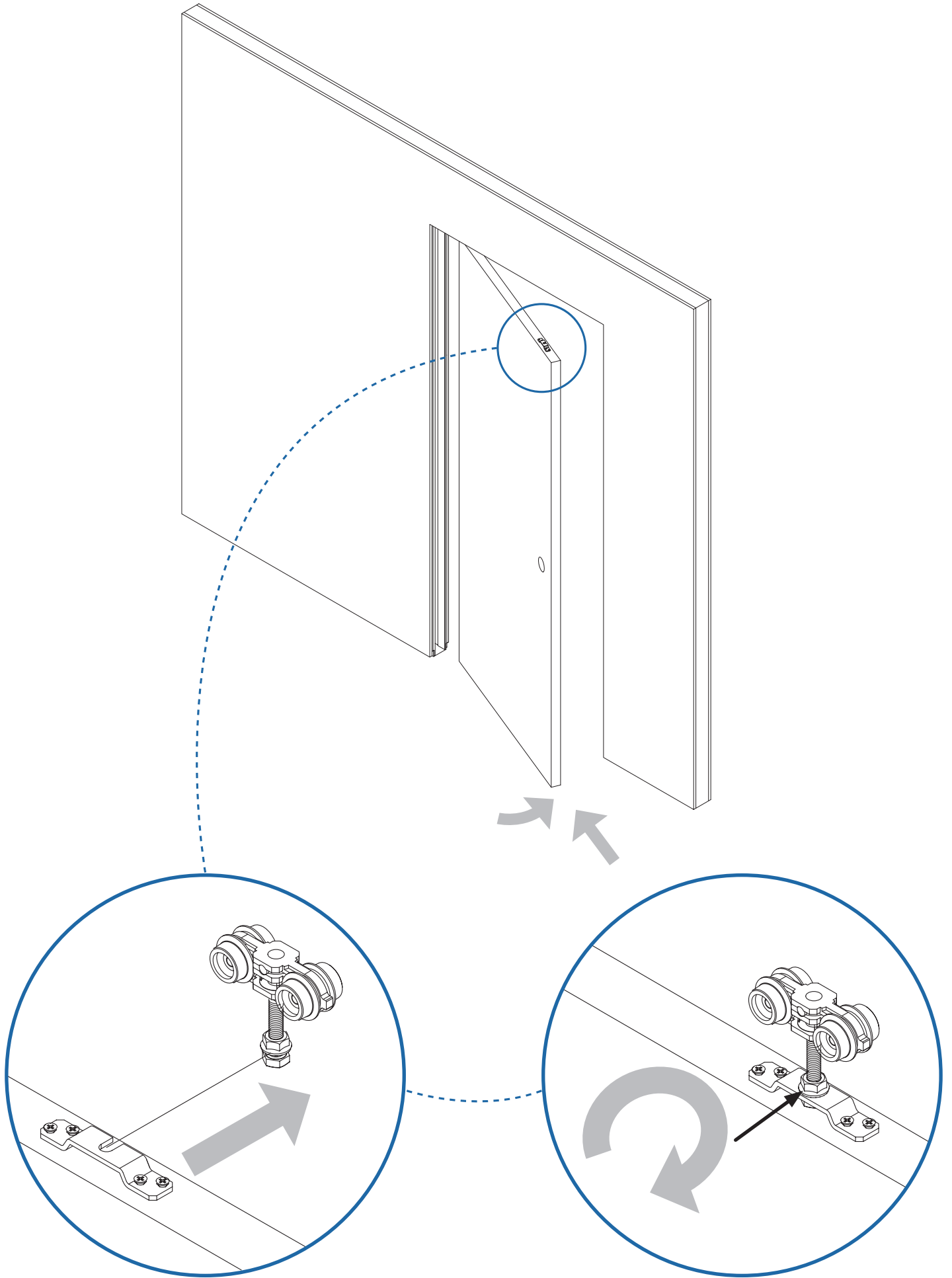
TOOLS REQUIRED

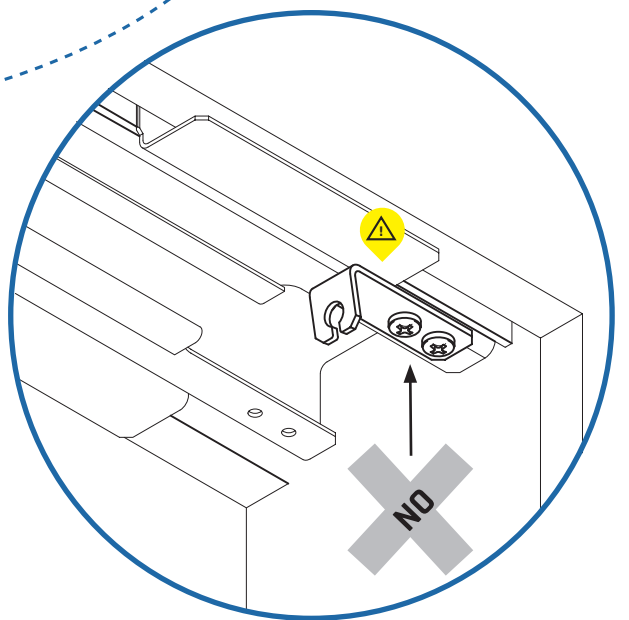
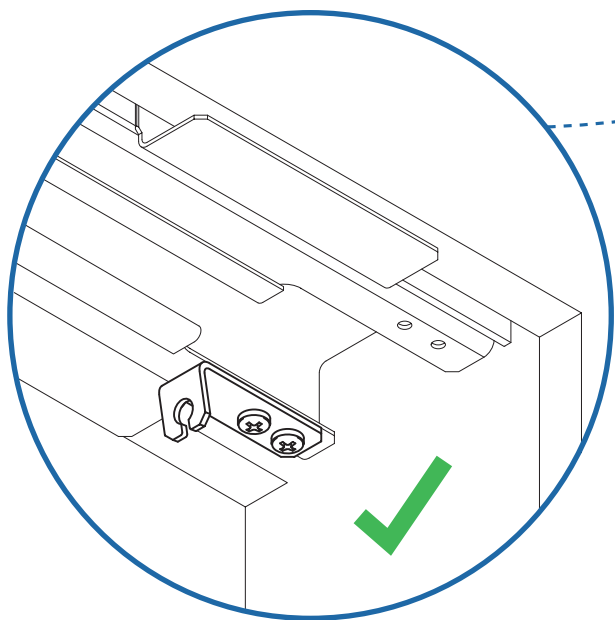
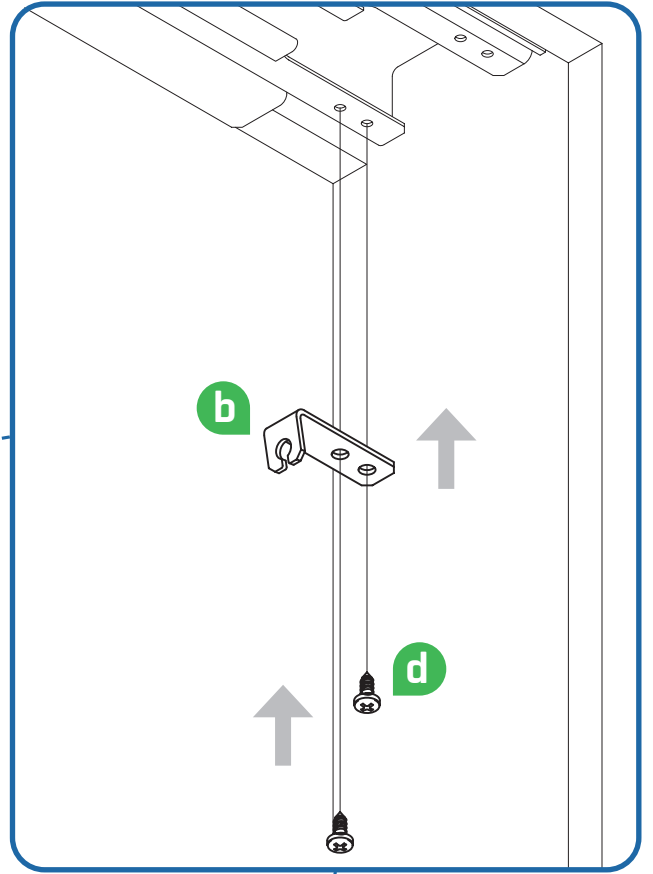
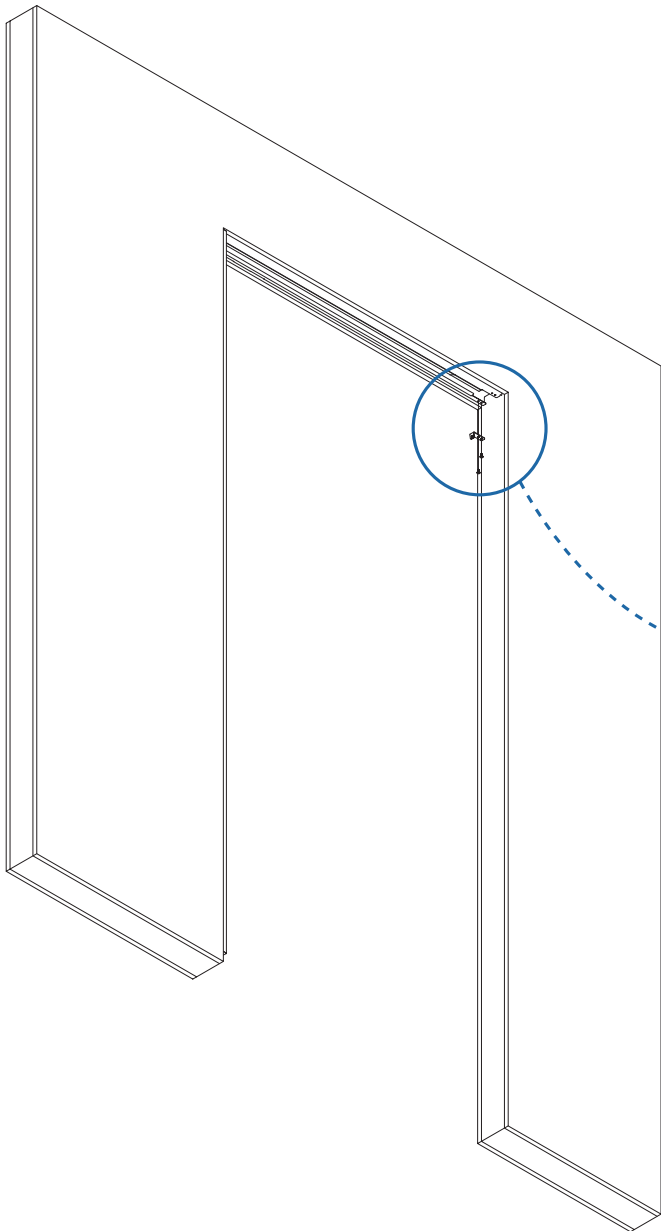


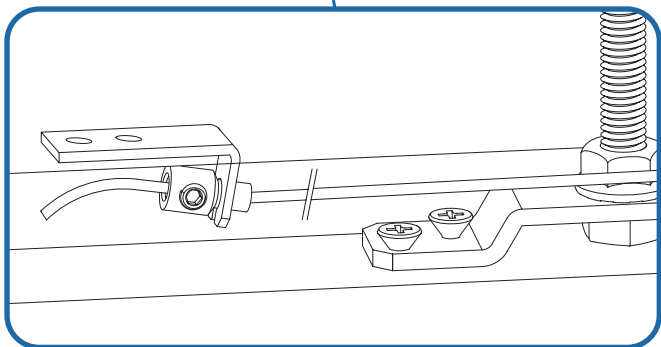
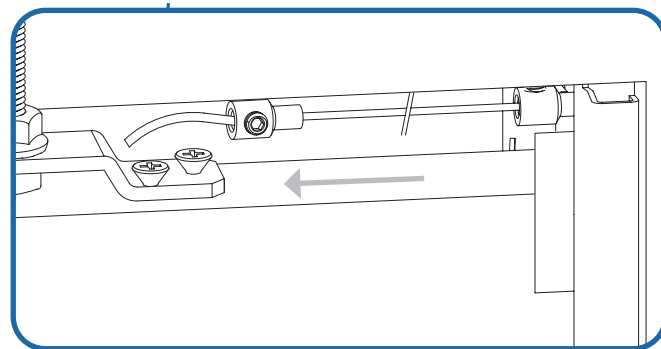
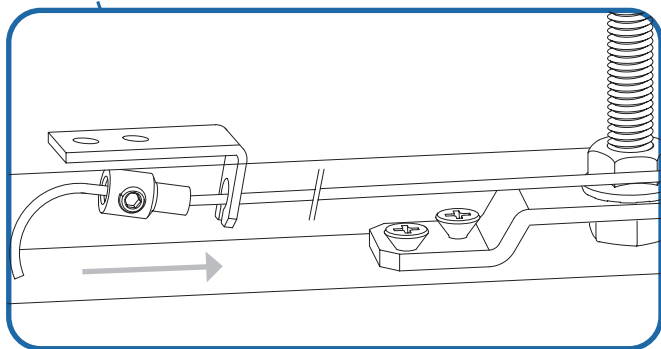
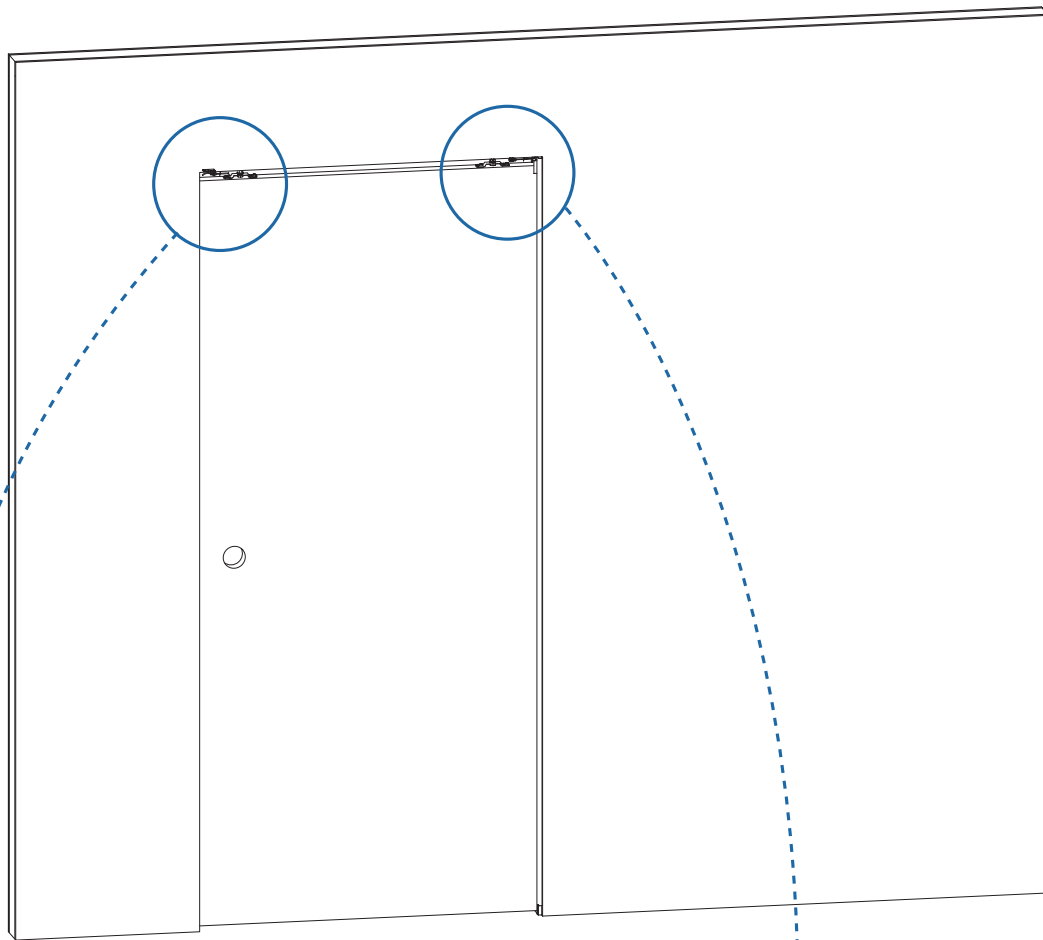
COMPONENTS

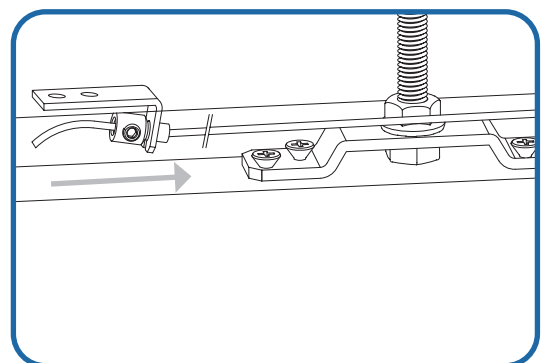
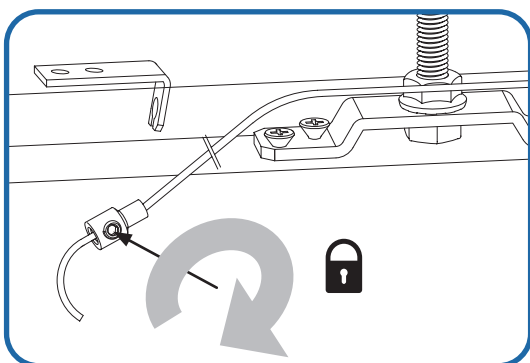
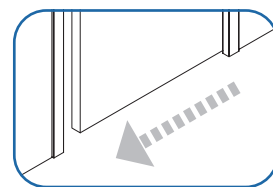
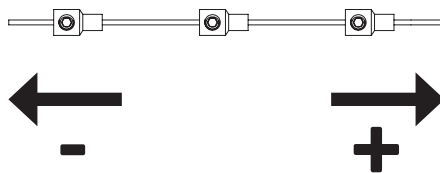
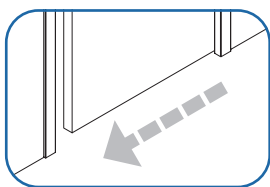
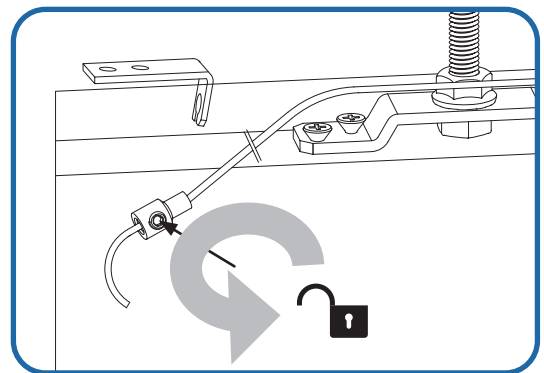
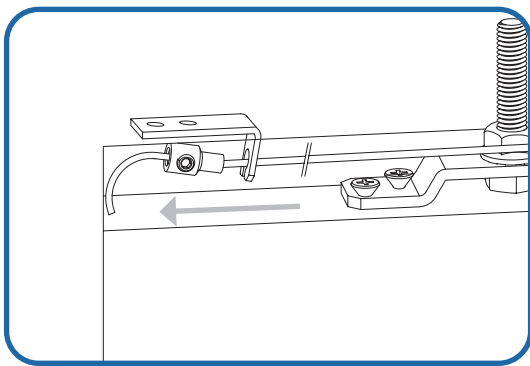
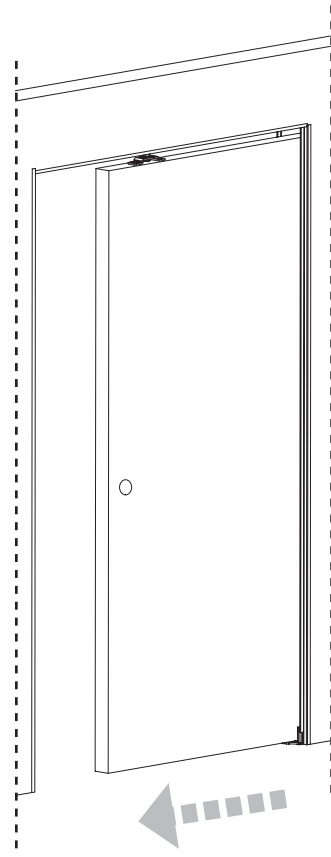
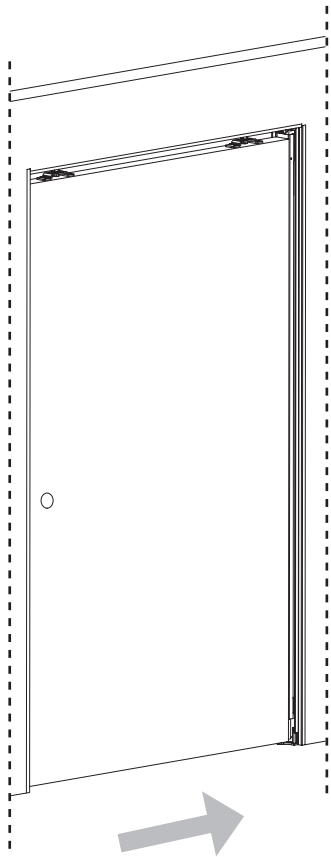


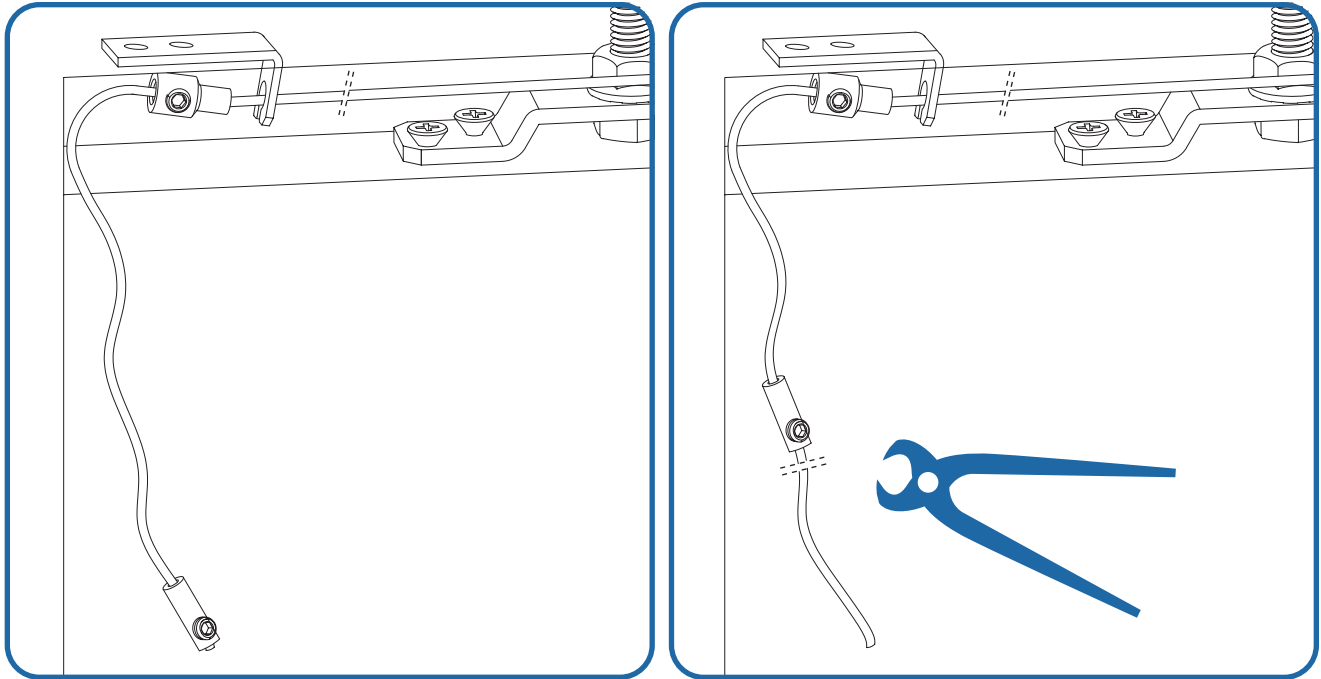












Rocket Door Frames - Unit 14 Priest Court - Springfield Ind Est - Grantham NG31 7FZ
T: 03309980617 - info@rocketdoorframes.co.uk - www.rocketdoorframes.co.uk

NEED HELP? GIVE US A CALL 03309980617